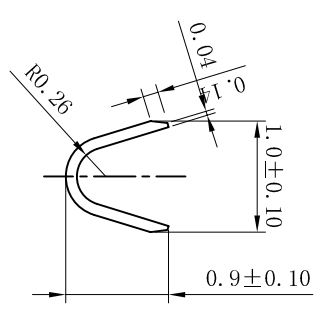
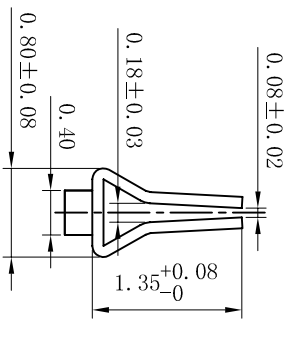


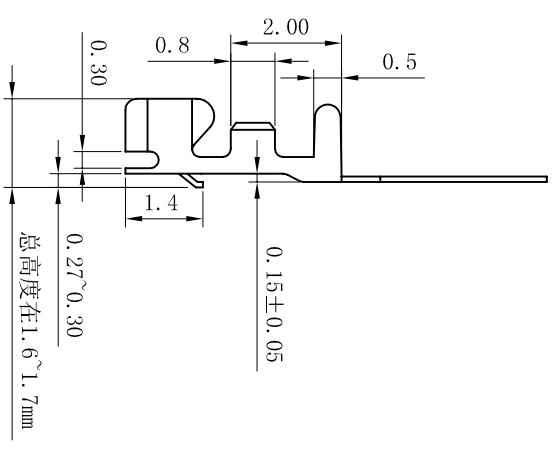
A-A SECTION  
SCALE: 2:1



B-B SECTION  
SCALE: 2:1



C-C SECTION  
SCALE: 2:1



1. 材质: 磷铜
2. 材料规格:  $0.121 \times 17.5^{+0.1}$

TOLERANCE TABLE	
.0	$\pm 0.20$
.00	$\pm 0.10$
.000	$\pm 0.05$

APPROVED:	DATE:	<b>CKM</b> 深圳市灿科盟实业有限公司 CHANKEMENG INDUSTRYCO., LTD
CHECKED:	DATE:	
DRAWN:	DATE:	TITLE:
L.Y.F	2008-04-07	SHI. 0T
CLIENT P/N		UNIT
/		mm
SCALE		free
REV.		REV.
CKM-SHI. 0-00002		A