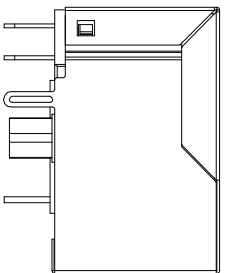
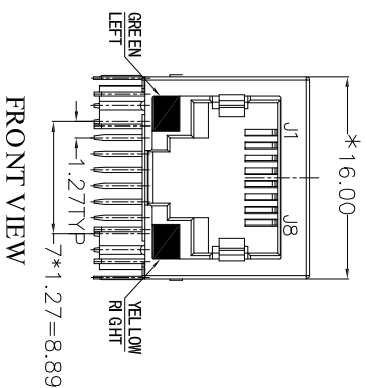


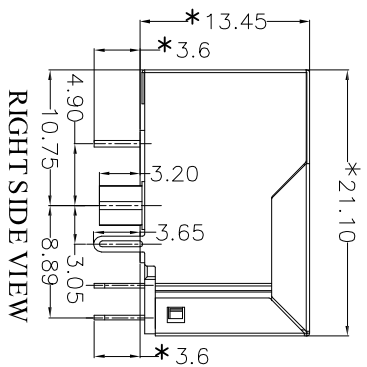
TOP VIEW



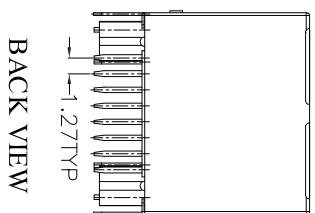
LEFT SIDE VIEW



FRONT VIEW



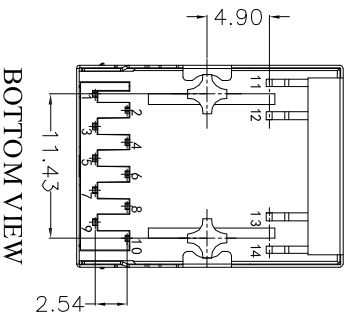
RIGHT SIDE VIEW



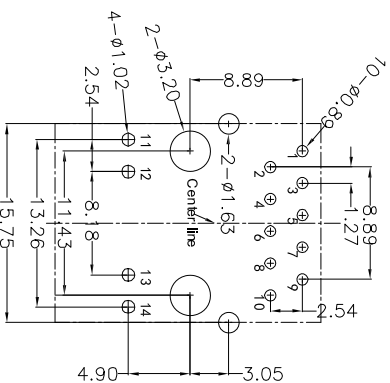
BACK VIEW

MATERIAL:
 HOUSING: PBT, UL94V-0, BLACK.
 TERMINALS BRACKET: PBT, UL94V-0, BLACK.
 SHIELD: C2680, T=0.20MM, NICKEL PLATING ON ALL AREA.
 TERMINAL: PHOSPHOR BRONZE C5210, T=0.35MM,
 6U" GOLD PLATING ON CONTACT AREA.

MECHANICAL:
 DURABILITY: 750 CYCLES MIN.
 MATING FORCE: 23N MAX.
 OPERATING TEMPERATURE: -40°C~+85°C.
 STORAGE TEMPERATURE: -40°C~+85°C.
 ALL CRITICAL DIMENSIONS WITH "*"



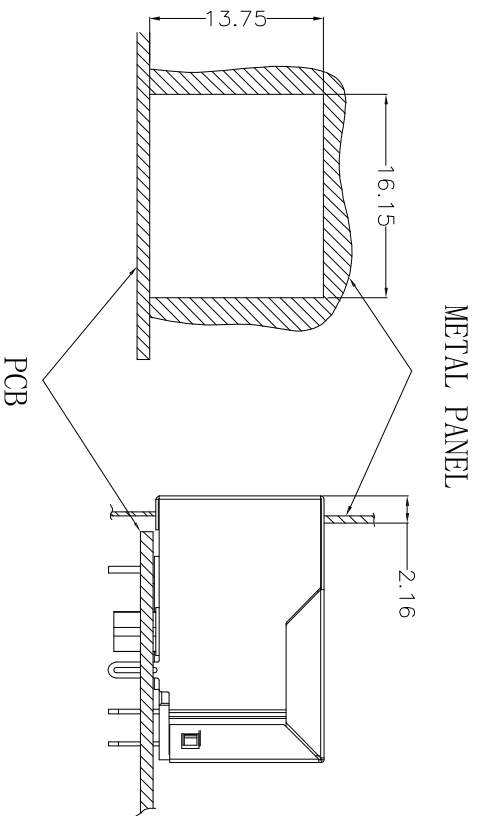
BOTTOM VIEW



RECOMMENDED PCB LAYOUT
 ME WED FROM COMPONENT SIDE

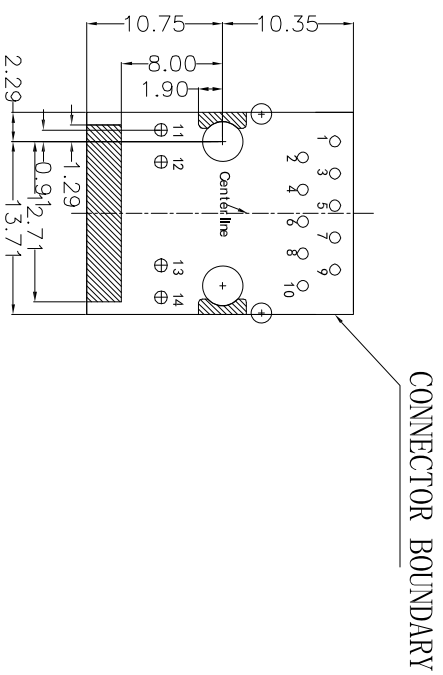
APPROVED:	DATE:	深圳市灿科盟实业有限公司 CHANKLEMENT INDUSTRYCO., LTD	
CHECKED:	DATE:		
DRAWN:	DATE:	PART. NO.	R-RJ45R10P-D008
L. YAN	2020-08-10	UNIT	mm
		SCALE	Free
		REV.	A0
		FILE NO.	Ckmtw-RJ45-0264
			KYD0
TITLE: 千兆网口 RJ45-10P/10C TAB-Down H=21.1 带灯左绿右黄 无弹 带变压器 十字脚			

RECOMMENDED PANEL CUTOUT (REFERENCE ONLY) :




UNIT: MM / INCH
 TOLERANCES: ± 0.10 0.004
 REFERENCE ONLY

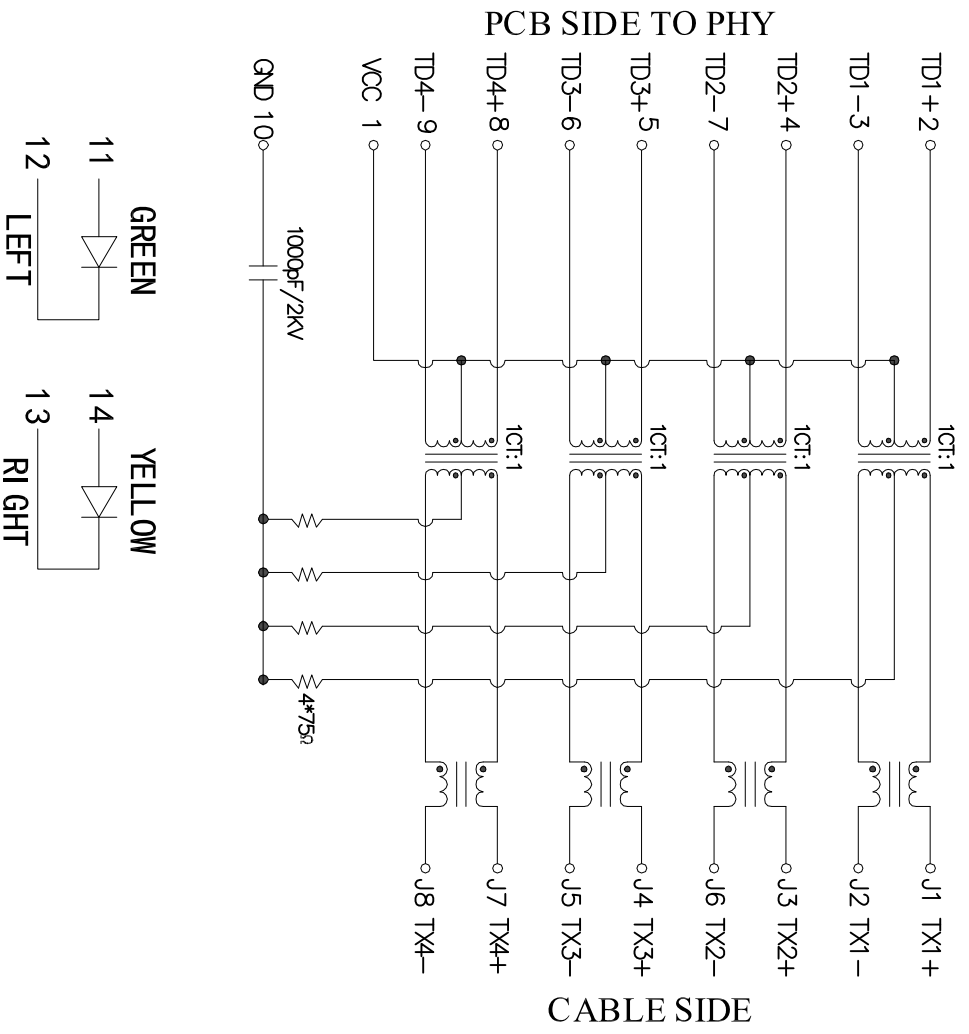
KEEP-OUT AREA (COMPONENT SIDE VIEW) :



PLUG-IN SIDE

UNIT: MM INCH
 TOLERANCES: ± 0.10 / 0.004

APPROVED:	DATE:	 深圳市灿科盟实业有限公司 CHANKLEMENT INDUSTRYCO., LTD			
CHECKED:	DATE:	TITLE: 千兆网口 RJ45-10P/10C TAB-Down H=21.1 带灯左绿右黄 无弹 带变压器 十字脚			
DRAWN:	DATE:	PART. NO.	SCALE	REV.	R-RJ45R10P-D008 Free A0 KYD0
L. YAN	2020-08-10	UNIT	mm	SCALE	Free
		FILE NO.	Ckmtw-RJ45-0264	REV.	A0 KYD0



Electrical:

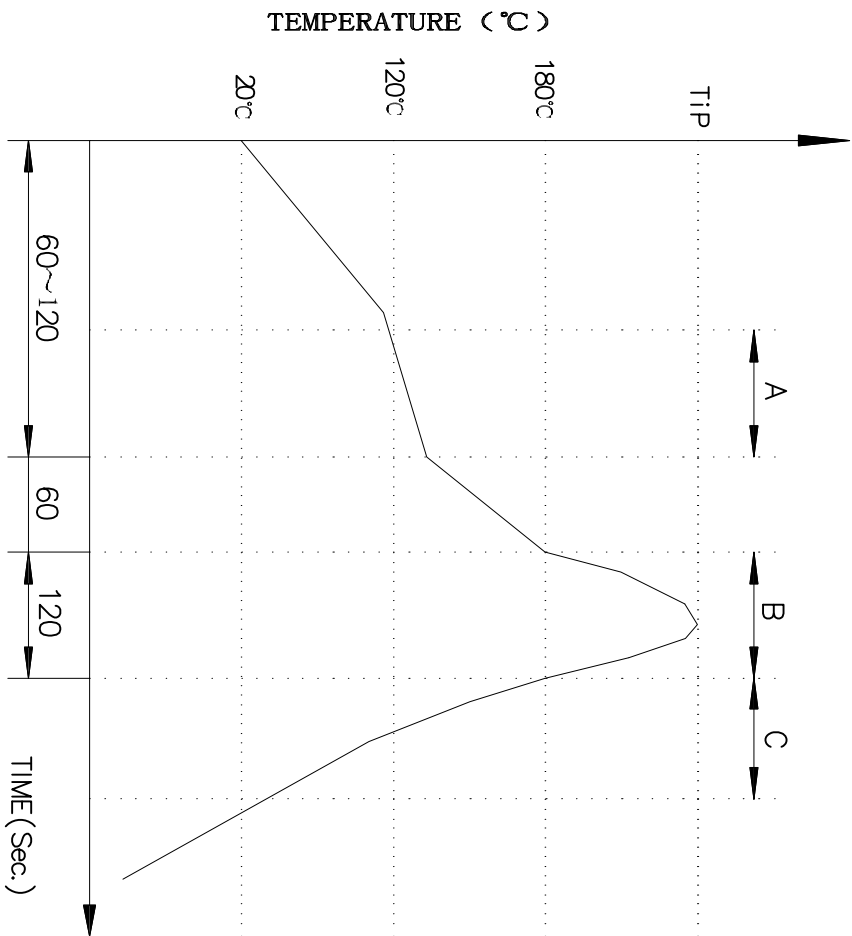
- Turn ratio: 2~3: J1~J2=1 CT:1 CT(±2%).
4~7: J3~J6=1 CT:1 CT(±2%).
5~6: J4~J5=1 CT:1 CT(±2%).
8~9: J7~J8=1 CT:1 CT(±2%).
- OCL: 350uH Min.at 100KHz 100mV 8mA DC.
- Insertion Loss: -1.0 dB Max 1~100MHz
- Return loss: -18dB Min 1~30MHz;
-14dB Min 30~60MHz;
-12dB Min 60~80MHz;
-10dB Min 80~100MHz.
- Cross talk: -40dB Min 1~30MHz;
-35dB Min 30~60MHz;
-30dB Min 60~100MHz;
- CMR: -30dB Min 1~100MHz;
- Hi-Pot: 2250V DC 6S 1 mA PRI TO SEC

LED Specification

Standard LED Color	LED Wavelength	Forward(A)	Forward(V)
Green	568nm	20mA	1.85-2.45V
Yellow	585nm	20mA	1.7-2.2V

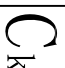
APPROVED:	DATE:	Ckmtw 深圳市灿科盟实业有限公司 CHANKLEMENT INDUSTRYCO., LTD					
CHECKED:	DATE:						
DRAWN:	DATE:	TITLE: 千兆网口 RJ45-10P/10C TAB-Down H=21.1 带灯左绿右黄 无弹 带变压器 十字脚	PART. NO. R-RJ45R10P-D008	UNIT mm	SCALE Free	REV. A0	KYD0
L. YAN	2020-08-10	FILE NO. Ckmtw-RJ45-0264					

PROFILE OF WAVE SOLDER



A. Preheating B. Soldering C. Gradual Cooling
 Tip temperature: $260 \pm 5^{\circ}\text{C}$.
 Tip temperature time: 5 Sec Max.
 Tip melting point of Sn96.5/Ag3Cu0.5: 217°C .

Remarks: after wave soldering, the plastic position columns of the product which under the PCB will be slightly melted, but it won't affect its function.

APPROVED:	DATE:	 深圳市灿科盟实业有限公司 CHANKLEMENT INDUSTRYCO., LTD			
CHECKED:	DATE:	TITLE: 千兆网口 RJ45-10P/10C TAB-Down H=21.1 带灯左绿右黄 无弹 带变压器 十字脚			
DRAWN:	DATE:	PART. NO.	UNIT	SCALE	REV.
L. YAN	2020-08-10	R-RJ45R10P-D008	mm	Free	A0 KYD0
		FILE NO.			
		Ckmtw-RJ45-0264			